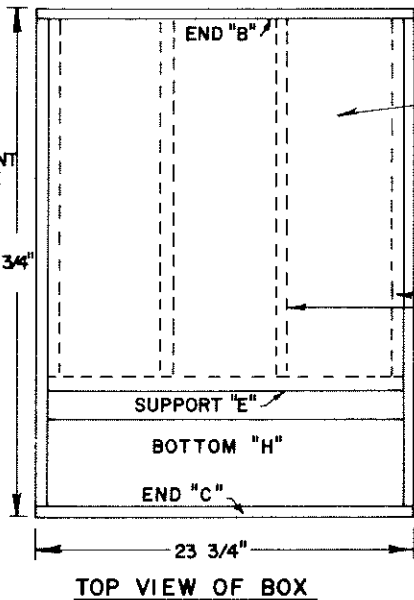
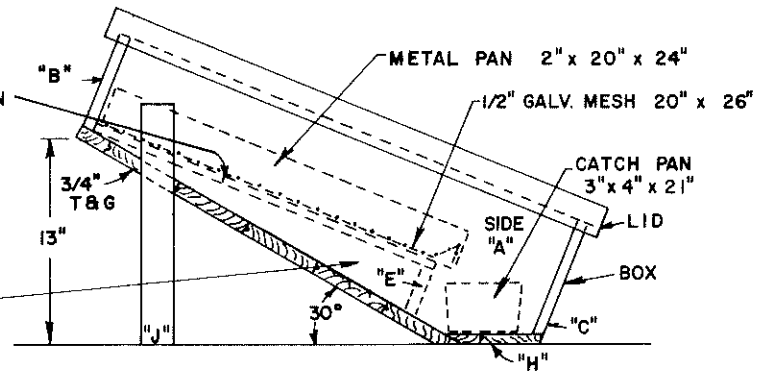


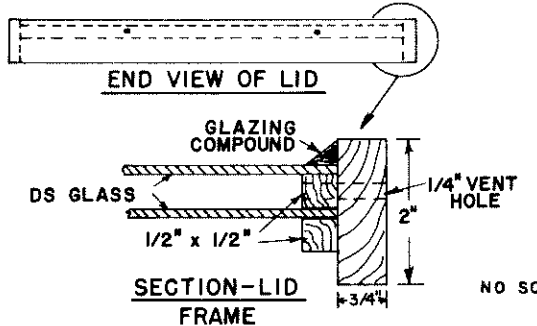
NO SCALE



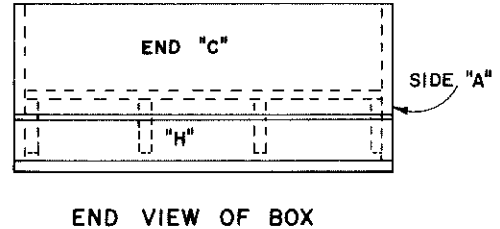
TOP VIEW OF BOX



SIDE VIEW, COMPLETE UNIT



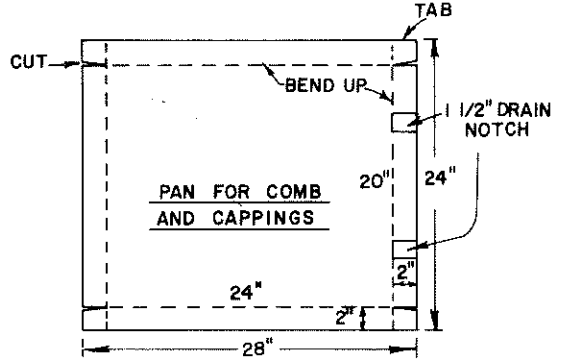
NO SCALE



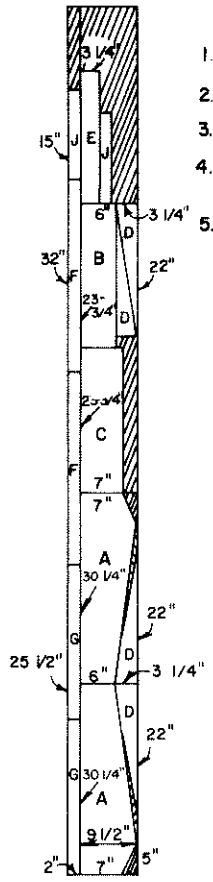
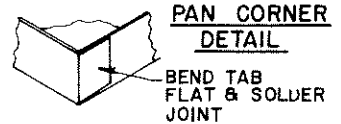
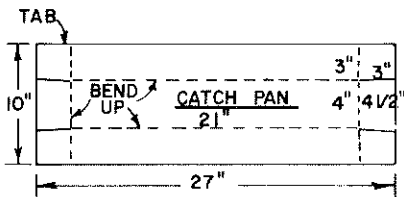
END VIEW OF BOX

NOTES

1. PAINT INSIDE WHITE.
2. PAINT OUTSIDE BLACK.
3. SEAL ALL CRACKS.
4. PLACE IN PROTECTED PLACE ON SOUTH SIDE OF A BUILDING.
5. REMOVE WAX AND HONEY WHEN MOST COMBS ARE MELTED. THE HONEY SHOULD BE DISCARDED.



NO SCALE



1" x 12" x 12' BOARD -
(3/4" x 11 1/2" x 12')

NO SCALE

BASED ON: PENN STATE UNIV.
PLAN NO. 790-301

COOPERATIVE EXTENSION WORK IN
AGRICULTURE AND HOME ECONOMICS

AND
UNITED STATES DEPARTMENT OF AGRICULTURE COOPERATING

SOLAR BEESWAX EXTRACTOR

PA '77 6265 SHEET 1 OF 1