

DRYING OF CHILLIES

Harvesting

By definition 'processing' does not involve harvesting. However, one cannot produce a good quality product from badly harvested materials. Correct harvesting techniques could be said to be the most important factor in the production of a high quality final product.

For processing, chillie should not be picked until it starts going red.

Cleaning

The crop should be cleaned before processing. The first stage is to remove dust and dirt using a winnowing basket. This can be made locally from bamboo, palm or other leaves. Someone used to this work can remove the dust, dirt and stones quickly and efficiently (eg they could clean 100kg of chillie in an eight hour day). Small machines are available for cleaning but they are rarely cost effective.

After winnowing the crop needs to be washed in water, all that is needed are two or three 15 litre buckets. For larger quantities a 1m³ sink/basin with a plug hole needs to be constructed. This can be made out of concrete. However, the water must be changed regularly to prevent recontamination by dirty water. Only potable water should be used.

Drying

This is by far the most important section in the process. The inability to adequately dry the produce will, at the very least slow down the whole process and possibly lead to mould growth or discolouration. Any produce with even a trace of mould cannot be used for processing. The sale value of mouldy chillie can be less than 50% the normal value. In extreme cases the whole crop can be lost.

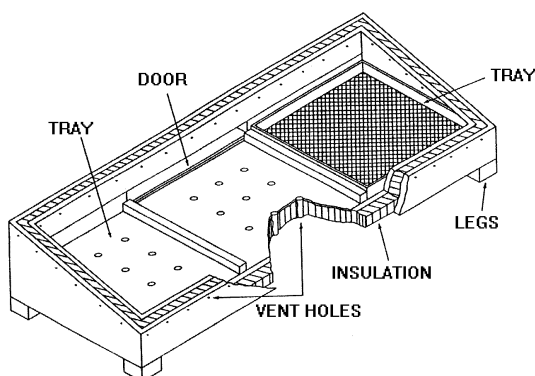


Figure 1:

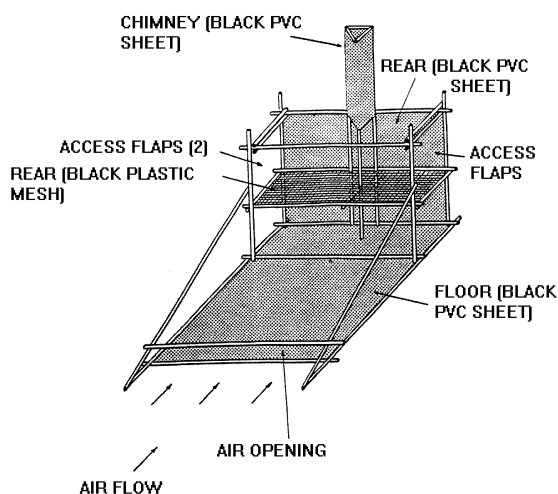


Figure 2:

Drying during the dry season

During the dry season, sun drying is usually adequate to dry the produce. The simplest and cheapest method is to lay the produce on mats in the sun. However, there are problems associated with this method. Dust and dirt are blown onto the crop and unexpected rain storms can re-wet the crop.

A solar dryer avoids these problems. The simplest type is the cabinet solar dryer, see Figure 1, which can be constructed out of locally available materials (eg bamboo, coir fibre or nylon weave).

For larger units (over 30kg/day an 'Exell Solar Dryer' could be used, see Figure 2. However, the construction costs are greater and a full financial evaluation should therefore be made to ensure that a higher income from better quality spices can justify the additional expense.

Drying during the wet season

During the wet season or times of high humidity, which often coincides with the harvest of the spices, a solar dryer or sun drying can not be used effectively.

An artificial dryer, which uses a cheap energy source is necessary. This may be a wood or husk burning dryer or a combined wood burning and solar dryer. Figures 3-6 show a combined wood burning and solar dryer which is based on the McDowell Dryer and has been used in Sri Lanka.

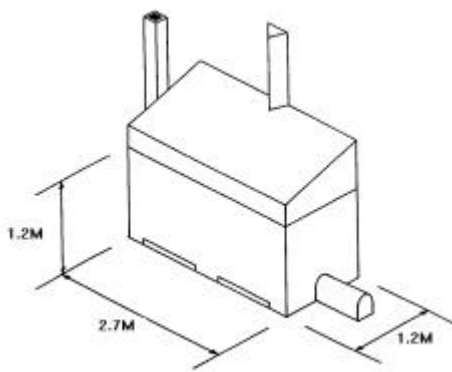


Figure 3

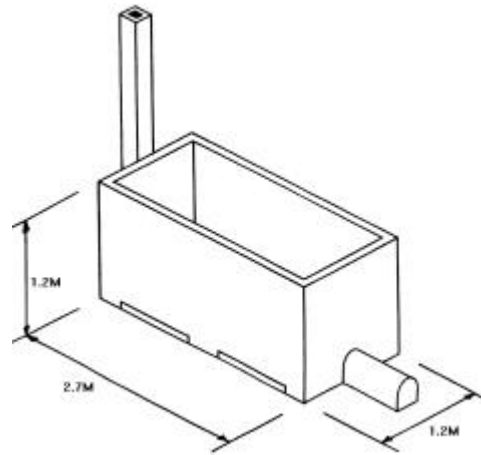


Figure 4

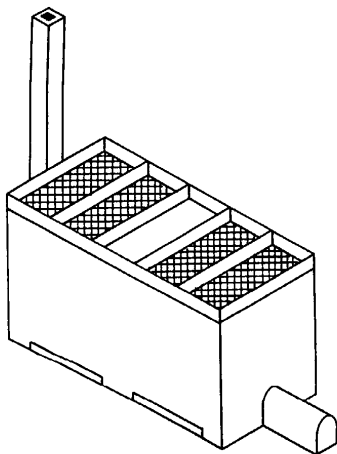


Figure 5

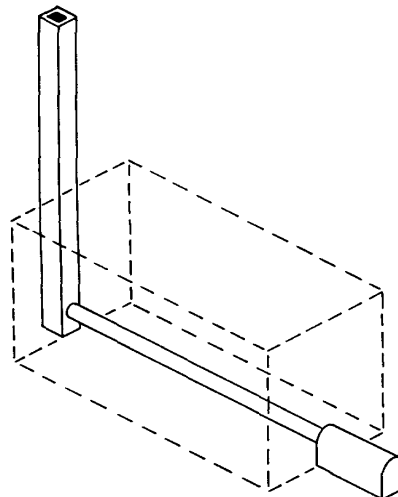


Figure 6

Over drying

Care needs to be taken to prevent over drying of the crops. A drier operator will soon learn how to assess the moisture content of the crops by hand. The final moisture content should be 10% wet basis.

Grading

In some cases the crop needs to be graded, eg high quality packaged products. Chillie is graded by colour and size this is done by hand. The brighter the red colour the better.

Grinding

Grinding may also add value but must be done carefully as there are difficulties. A whole, intact product can be easily assessed for quality whereas a ground product is more difficult. There is a market resistance to ground produce due to fear of adulteration. This can only be overcome by producing a consistently high quality product and gaining the confidence of customers. There are basically two types of grinders - manual grinders and mechanical grinders. A grinding mill has to be placed in a separate and well-ventilated room because of dust.

Manual grinding mills

There are many manual grinders that could be used to grind chillie (see equipment suppliers at the end).

An experienced operator can grind about 20kg in an eight hour day. However, this is hard and boring work. A treadle or bicycle could easily be attached to the grinder which will make the work easier. With this system one person could grind about 30kg in one day.

Work needs to be done to find out the degree of fineness the consumer wants. The grinding mills then need to be set so that they produce the desired ground product.

For small-scale production, (up to 100kg/day) a series of these grinders is all that is needed. For larger scale production units, a mechanical grinder would be required.

Mechanical grinding mills

Horizontal plate, vertical plate or hammer mills are suitable for grinding chillie. A grinding mill has to be placed in a separate and well-ventilated room because of the dust.

As above the grinding mill needs to be adjusted so that it grinds the chillie to the desired fineness.

Packaging Packaging material

Packaging of these products, especially if they are ground requires polypropylene. Polythene cannot be used as the flavour components diffuse through it.

Simple sealing

The bags can be sealed simply by folding the polypropylene over a hacksaw blade and drawing it slowly over the flame of a candle. However, this is extremely uncomfortable as the hacksaw blade heats up and burns the hands of the operator. However, this is a very common technique.

Sealing machines

A sealing machine will speed this operation up considerably and produce a much tidier finish

(which is very important).

The cheapest sealing machines have no timing mechanism to show when the bag is sealed and they have a tendency to overheat.

Sealing machines with timers are desirable. The machines come in many sizes. For most work an 8 inch (20cm) sealer is sufficient. Eye catching labels should be sealed above the product in a separate compartment and holed so the package can be hung-up in the shop.

Storage

A well designed and secure store is essential.

The optimal conditions for a store are: low temperature, low humidity and free from pests. The store should be located in a shaded, dry place. To keep humidity as low as possible only fully dried products should be stored in it. The produce should be checked regularly and if it has absorbed too much moisture it should be dried again.

To prevent pests entering, the roof should be completely sealed. Mosquito netting should be placed over the windows and doors should be close fitting.

Equipment suppliers

Note: This is a selective list of suppliers and does not imply ITDG endorsement.

Hand operated mills

Hand operated grinding mill
Tissa Industries
71 Sunetra Devi Road
Kohuwela
Colombo

Turma grinder
Hindustan Engineering Company
25/31 Ropewalk Street
Fort
Bombay
India

Small domestic mill

ETS Champencis
Chamamculley
France

Atlas No 1 handpower grinding mill
R J Hunt & Company Limited
c/o Bentall Simplex Industries Limited
Foxhills Industrial Estate
Scunthorpe
DN15 8QW
United Kingdom

UK Type No 2 hand mill

Cecoza
P O Box 9
Ibarachi City
Osaka 567, Japan

Mechanical mills

Tissa Bran 6" grinder (with motor)
Tissa Brand 12" grinder (with motor)
Tissa Industries
71 Sunetra Devi Road
Kohuwela
Columbo

Cibler FFC 15 (with motor)
Cibler FFC 23 (with motor)
Jimo Agricultural Machiner Works
Shandong Province
China

Pulco Star grinder (with motor)
Sabo Engineering
Rajasthan
India

Sealing machines

Doboy Limited
2 Blaydon Road
Sandy
SG19 1RB
Tel: + 44 (0)1767 82911
Fax: +44 (0)1767 291763

Hulme Martin Limited

6 Brownlow Mews
Guilford Street
London
WC1N 2LD
Tel: +44 (0)20 7242 5448
Fax: +44 (0)20 7242 2044

Thames Packaging Equipment Company
Senate House
Tyseen House
London
E8 2ND
Tel: +44 (0)20 7254 7132
Fax: +44 (0)20 7241 0559

Gardners Corporation
6 Doctors Lane
P B No 299
New Delhi 110 001
India
Tel: 344287

Kaps Engineers
831 GIDC
Makapura
Vadodara 390 010
India
Tel: 43178

Samarpan Fabricators Pvt Limited
Plot A 182/A 183 Lane 2
Road 16
Wagle Industrial Estate
Thane 400 604
India
Tel: 594842

Shaco Enterprises
161/163 R R Mohan Roy Road
Pharthana Samaj
Bombay 400 004
India
Tel: 364646

Chinar (Pvt) Limited
Plot 33
St 10
Sector 1-9
Islamabad
Pakistan
Tel: 51 411181

FMC Corporation
Machinery International Division

P O Box 1178
San Jose
California
95108
USA

China Light Corporation
Economic and Technical Co-op
Tianjin Company
10 Youyi Road
Tianjin
China
Tel: 756287 / 750360

Doboy Iberica SA
Rio Escalona 25
Valencia
46023
Spain
Tel: 96 3619412
Fax: 96 3693239

Adelphi Manufacturing Company Limited
Olympus House
Mill Green Road
Haywards Heath
RH16 1XQ
United Kingdom
Tel: 01444 440091
Fax: 01444 440272

AI Packaging Materials Limited
85-105 Stainsley Road
London
E14 6JT
United Kingdom
Tel: +44 (0)20 7987 6361
Fax: +44 (0)20 7987 3050

technical brief